

Jenal Communications  
Model Guardian CWID-1  
Repeater/Beacon Controller

Users Manual

(Software Version 1.00)  
(PCB Version 1.00)

## Connections

Pin No.	Connection
1 Brown	<b>Ground</b> Connect to ground of repeater or transmitter.
2 Red	<b>Power input</b> Connect to supply input of between +8vDC and +24vDC.
3 Orange	<b>Tone output</b> Connect to modulator input. Adjust VR1 to give required amount of modulation.
4 Yellow	<b>Programming mode</b> Do NOT connect to this pin. This input is used during programming of the options.
5 Green	<b>DC Keying</b> Used to key the transmitter when the Guardian CWID-1 is used as a controller for a CW Beacon. If a relay is keyed then a protection diode should be used.
6 Blue	<b>Reset</b> A short duration ground on this pin resets the micro and restarts the programme.
7 Violet	<b>PTT</b> This pin is used to PTT the transmitter. If a relay is keyed then a protection diode should be used.
8 Grey	<b>Programming TX DATA</b> Do NOT connect to this pin. This input is used during programming of the options.
9 White	<b>Programming RX DATA</b> Do NOT connect to this pin. This input is used during programming of the options.
10 Black	<b>Carrier Detect</b> Connect this input to the Carrier Detect or Carrier Squelch line of the repeater receiver. The input can be either high or low when a signal is received as determined by the programming.

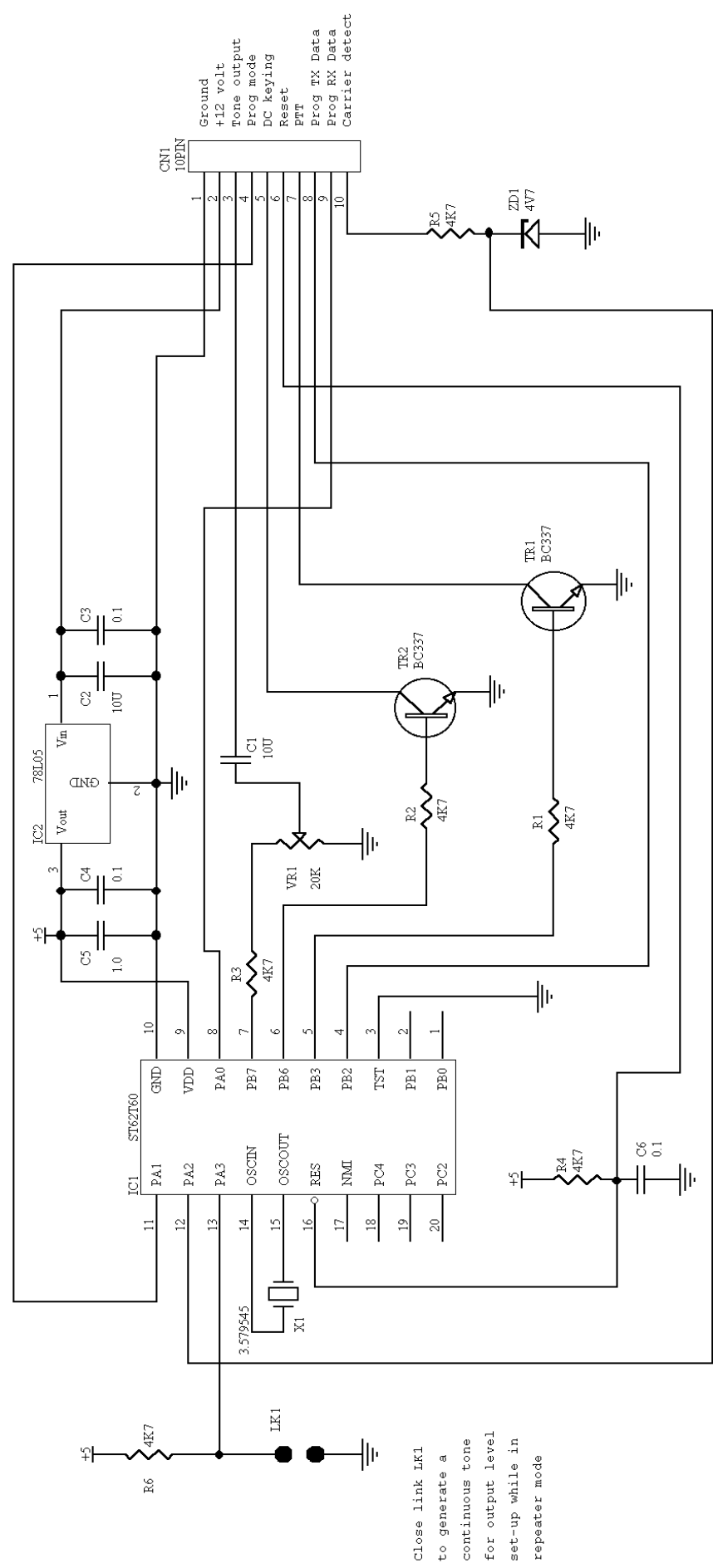
Note: Colours under Pin No refer to 10 way coloured ribbon cable if used.

### Set up of Guardian CWID-1

Once the guardian CWID-1 has been wired into the Repeater or Beacon there is very little to be adjusted. When used in AM, FM or SSB Beacon mode simply adjust VR1 to give the required amount of modulation. In CW Beacon Mode no adjustment is necessary.

When the Guardian CWID-1 is used in Repeater Mode closing Link LK1 will produce a continuous tone. Adjust the modulation level with VR1 then open Link LK1 for normal operation.

D C B A



Close link LK1 to generate a continuous tone for output level set-up while in repeater mode

Title		Guardian CW ID board	
Size	Number	Revision	
A4	Jenal CW-ID	1	1.00
Date	3-May-2002	Sheet of	1
File	C:\PCBS\CHMATIC\GUARD001.S01	Drawn By	A. H.

Jenal Communications  
P O Box 1108, MORLEY  
Western Australia, 6943

e-mail: [sales@jenal.com](mailto:sales@jenal.com)  
Internet: <http://www.jenal.com>

Tel: Int.+61 8 9370 5533  
Fax: Int.+61 8 9370 5106